

# Sleeve Bearing Mounted Clutch



SG Transmission

TYPE 51

Tel: +44 (0)1388 770 360 | sales@sgtransmission.com  
www.sgtransmission.com

The sleeve bearing mounted clutch offers a low-cost and simple option for the transmission of motion in a drive train. The sleeve bearing mounted clutch is used for mounting onto shafts where lower forces and speeds are required.

Specific applications can be catered for and many fixing options are available depending on the size and location of the drive components.

## Benefits

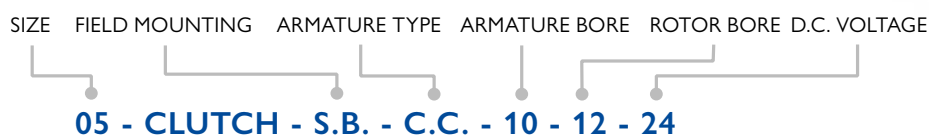
- Ease of fitting
- Suitable for low speeds
- Voltage options

## Features

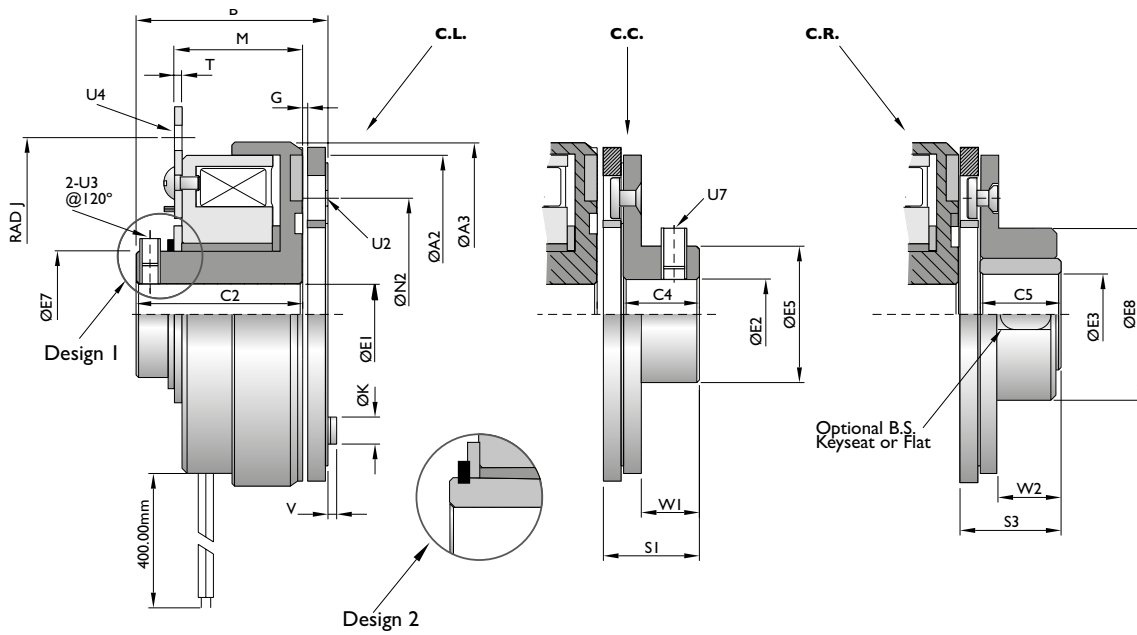
- 12v or 24v DC voltage
- Keyways to B.S. 4235
- Insulation class B

## Key applications

- Machinery
- Turnstiles and gates
- Conveyors
- Motor rollers



## Technical data



Size	Torque TS (Nm)	Max P20 (w)	A2	A3	B	C2	C4	C5	Max E1 H7	Max E2 H7	E3	E5	E7	E8 H7	G	J	K	M	N2	S1	S3	T	U2	U3	U4	U7	V	W1	W2
01	0.6	6	30	31	24	22	10	10	6	6.5	6	12	16	12	0.1	15.5	5	16	19.5	12.8	12.5	1.5	2x2.6	M3	HOLE 4x3.2	M3	1	8	7.5
02	0.75	6	32	34	29	26	10	10	6	6.5	6	12	16	14	0.1	20	5	22	23	12.8	12.5	1.5	3x2.6	M3	SLOT 3.10	M3	1.5	8	7.5
03	1.2	8	40	43	34	30.5	12	12	10	10	10	17	17	18	0.15	23	5.1	25	30	15.3	15	1.5	3x3.1	M3	SLOT 3.20	M3	1.5	9.5	9
04	1.6	8	42	44	34	30.5	12	12	10	10	10	17	16	20	0.15	30	6.1	25	29	15.3	15	1.5	2x3.1	M3	SLOT 3.10	M3	1.5	9.5	9
05	3	10	50	54	37.5	34	12	12	15	15	15	24	20	28	0.2	28	6.1	28	38	15.3	15	1.5	3x3.1	M4	SLOT 5.10	M4	1.5	9.5	9
06	8	12	66.5	68	32	28	15	16	17	17	20	27	25	34	0.2	36	6.1	25.4	46	19	19	1.5	3x3.1	-	SLOT 5.10	M5	1.5	11.5	11.5
07	8	12	66.5	68	40	36	15	16	17	17	20	27	25	35	0.2	40	6.1	27.5	46	19	19	1.5	3x3.1	M5	HOLE 5.10	M5	1.5	11.5	11.5
08	16	18	80	85	36	31	20	20	20	20	25	32	35	48	0.2	45	8	27.8	60	24.7	24	1.5	3x4.1	-	SLOT 5.00	M5	2	16	15